

E3 VISE ACTION® Compression Latch

Metal injection molding stainless steel housing · Tool or hand operated
Adjustable grip · 13.5mm size



Features

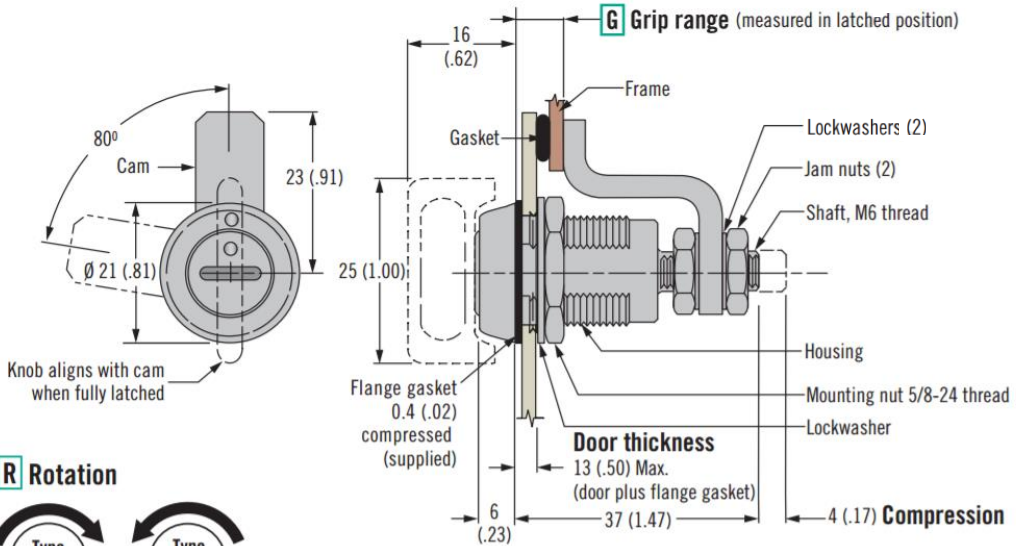
- Consistent pre-set compression
- Easy grip adjustment
- Reduced dimensions
- EN 45545-3 E60 Compliant
- NEMA 4 and IP65 enabled using gasket supplied

Material

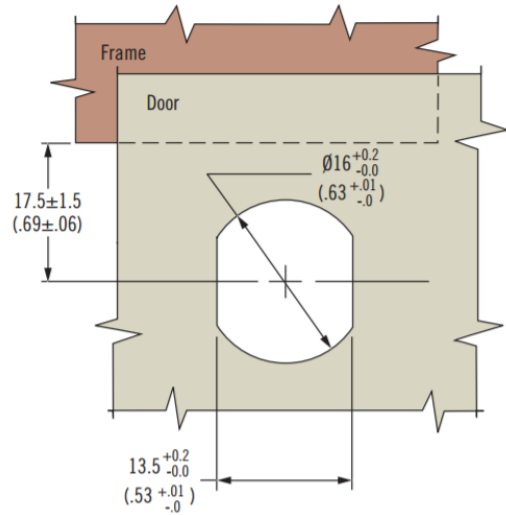
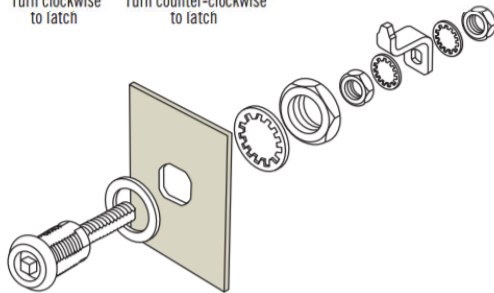
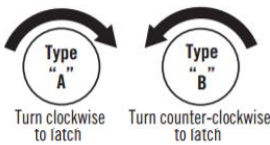
- Stainless steel (304 and 316)

Product Performance

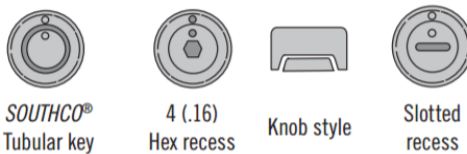
- Maximum static load: 356 N



R Rotation



H Head Styles



H Head style

- 5 SOUTHCO® Tubular key
- 6 Hex recess
- 7 Knob style
- 9 Slotted

R Rotation

- 5 Type A clockwise to latch
- 24 Type B counter-clockwise to latch

- 2 Electropolished
- 12 Electropolished and hand buffed (bright)

E3 - R H - G F

G Grip	Minimum	Maximum
1	3.2 (.13)	6.4 (.25)
2	6.4 (.25)	9.5 (.37)
3	9.5 (.37)	12.7 (.50)
4	12.7 (.50)	15.9 (.63)
5	15.9 (.63)	19 (.75)
6	19 (.75)	22.2 (.87)
7	22.2 (.87)	25.4 (1)
8	25.4 (1)	28.6 (1.13)



We are proud to be Southco's authorized distributor of over 20 years

E3 VISE ACTION® Compression Latch Accessories

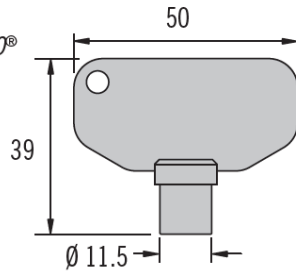
Keys

Keys - Steel

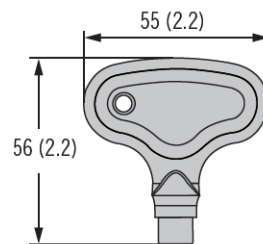
For latches with *SOUTHCO*®
Tubular key head styles

Part Number

- 13.5mm size:
E3-26-819-15
- 19.1mm size:
E3-5-15



Keys - Zinc or Nylon



H Head style

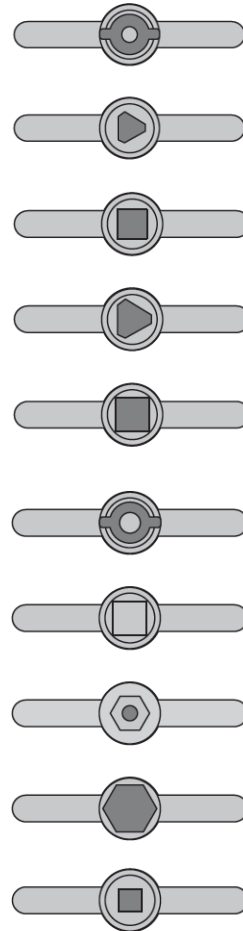
- 2 3 (.11) Double bit
- 3 7 (.28) Triangle*
- 4 7 (.28) Square
- 7 8 (.32) Triangle
- 8 8 (.32) Square recess
- 9 5 (.19) Double bit
(nylon only)
- 10 8 (.32) Square male
(zinc only)
- 11 Bellcore electronics
- 12 Bellcore 216
(zinc only)
- 14 Railway Standard
(zinc only)

F Finish

- 1 Plated zinc
- 2 Natural zinc
- 3 Nylon black

E3 - H - F

Key Styles



- 2 3 (.11) Double bit
- 3 7 (.28) Triangle
- 4 7 (.28) Square
- 7 8 (.32) Triangle
- 8 8 (.32) Square recess
- 9 5 (.19) Double bit
- 10 8 (.32) Square male
- 11 Bellcore electronics
- 12 Bellcore 216
- 14 Railway Standard



*Does not work with 7mm tapered triangle

Overmolded Keys

Key CH751



Key R001



Flat Keys

Key CH751



Part Number

- Overmolded key CH751:
 - Single: PK-10-10-05
 - Pair: PK-10-01-05
- Overmolded key R001:
 - Single: PK-10-10-05-KR001
 - Pair: PK-10-01-05-KR001
- Flat key
 - Pair: PK-10-01

E3 VISE ACTION® Compression Latch Accessories

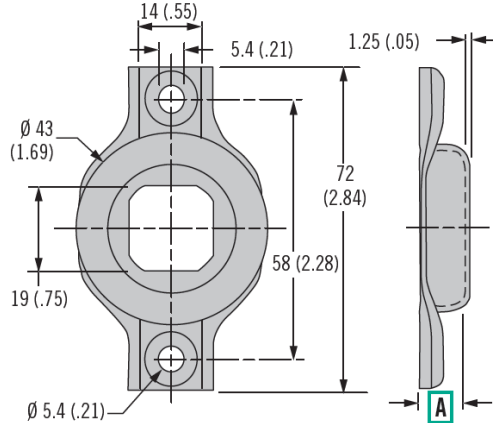
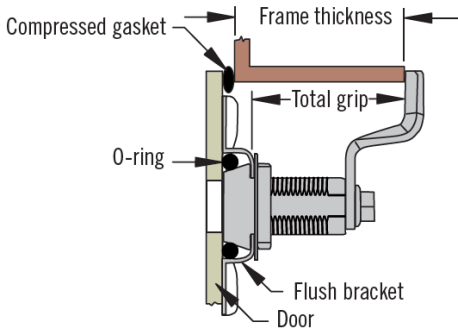
Fixed bracket for flush mounting

Material

- Stainless steel or galvanized steel with rubber o-ring

Sealing Notes

- Environmental sealing is achieved by using latch with flange gasket (optional or included with latch) and sealing the mounting screw threads



A	Part Number	Material
6.6	E3-77-251-12	Galvanized steel
*9.3	E3-77-252-12	Galvanized steel
6.6	E3-77-251-24	304 Stainless steel
*9.3	E3-77-252-24	304 Stainless steel

* For use with Railway standard or Bellcore 216 style only

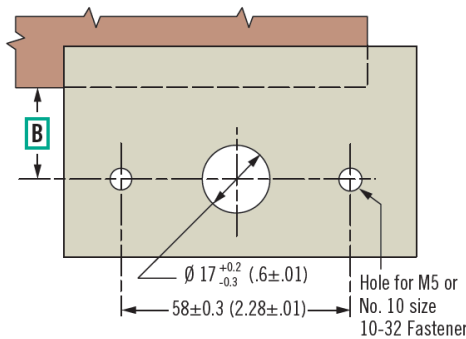
To calculate the **Total Grip**, use the following formula: **Frame Thickness + Compressed Gasket - A**.

Door preparation

For **B** dimensions:

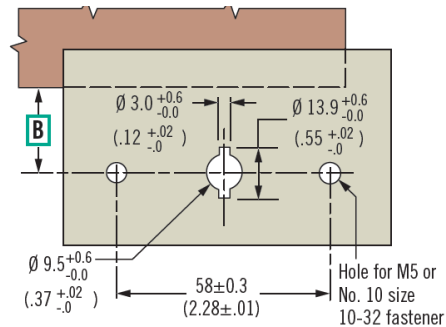
Large adjustable grip 24 ± 1.5 (.94 \pm .06)

Fixed grip 36 ± 4 (1.42 \pm .15)

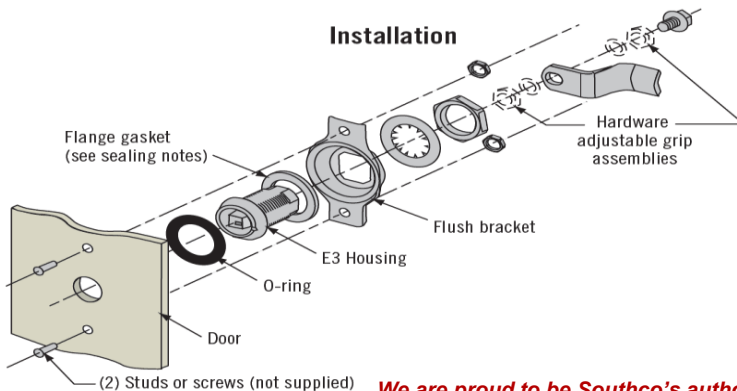


Double bit (key retained style)

Key can only be removed in the latch closed position.



Installation



southco®

We are proud to be Southco's authorized distributor of over 20 years

E3 VISE ACTION® Compression Latch Accessories

Sealing & spur washers · Sealing covers · Sleeve nut

Material

- Sealing washers: Neoprene, natural
- Spur washer: Steel, zinc plated
- Sealing cover: Thermoplastic elastomer, black
- Sleeve nut: Zinc alloy

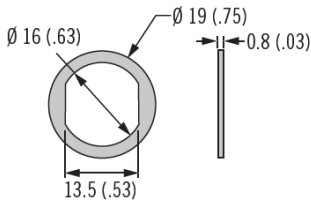
Notes

- Spur washer provides for round hole installation in wood and similar materials of low density
- Sealing cover cannot be used with Railway standard or Bellcore 216 styles
- Sleeve nut: For use in double skin doors. Produce standard panel cutout in outer door and for the inner door produce 25 hole for sleeve nut

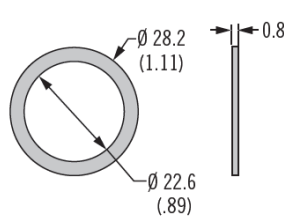


Sealing Washers

13.5mm size

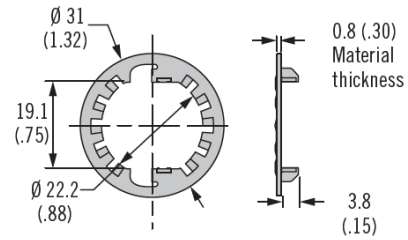


19.1mm size

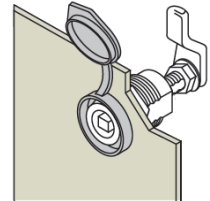
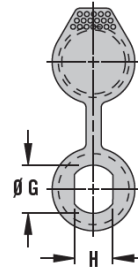
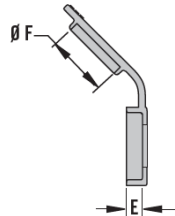
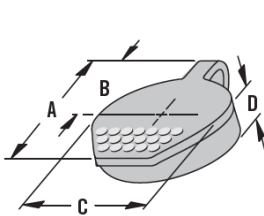


Spur Washer

19.1mm size



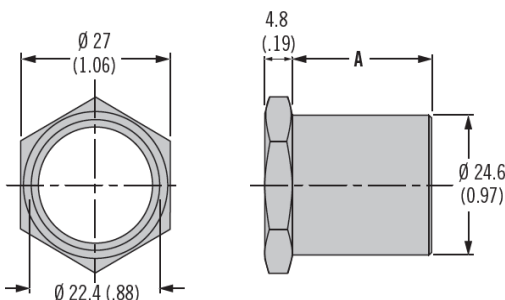
Sealing Cover



Latch Installation Hole Size		Dimensions					
Ø G	Distance across flat H	A	B	Ø C	D	E	Ø F
16 (.63)	13.5 (.53)	40 (1.58)	20 (.85)	29 (1.13)	10.5 (.42)	6.1 (.24)	22.3 (.88)
22.5 (.88)	19.6 (.77)	47 (1.84)	28 (1.09)	35 (1.38)	11.7 (.46)	6.9 (.27)	28.7 (1.13)

Type	Part Number	Adjustment Formula
Sealing washer 13.5mm size	E3-0-30268-02	Add 0.4 (.02) to door thickness
Sealing washer 19.1mm size	E5-17	Add 0.4 (.02) to door thickness
Spur washer 19.1mm size	90-6-875	Add 0.8 (.03) to door thickness
Sealing cover 13.5mm size	90-1	Add 2.3 (.09) to door thickness
Sealing cover 19.1mm size	90-3	Add 2.3 (.09) to door thickness

Sleeve Nut M22 Thread (for 19.1mm size E3 only)



A	Part Number
12.7 (.50)	E3-34-263-36
25 (.98)	E3-34-264-36

E3 VISE ACTION® Compression Latch Accessories

Padlock brackets - Finger pulls

Material

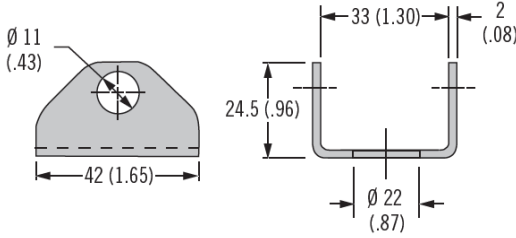
- Padlock bracket: Stainless steel, black powder coated
- Pull tab: Nylon, black

Notes

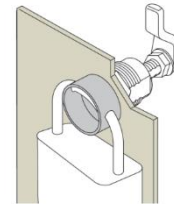
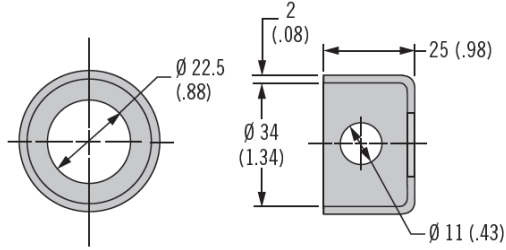
- To provide sealing use two flange gaskets and add compressed thickness of each flange gasket and bracket thickness to your door thickness
- Padlock bracket: For 19.1mm size single hole mount tool operated only
- Only unassembled styles can be used with round padlock bracket



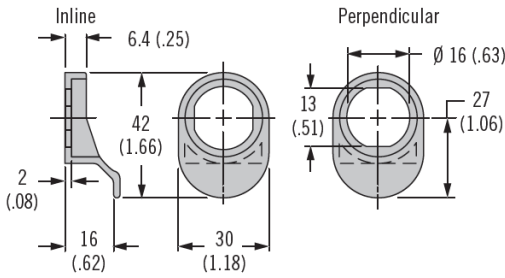
Padlock Bracket (Square)



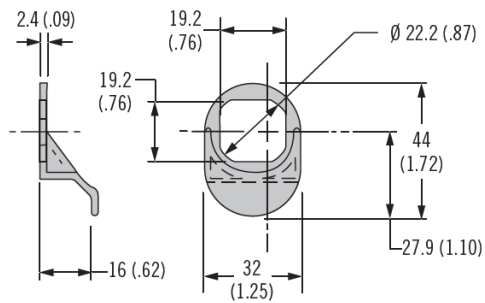
Padlock Bracket (Round)



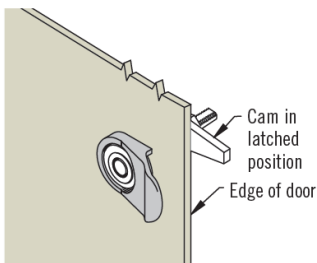
Pull Tab (13.5mm size)



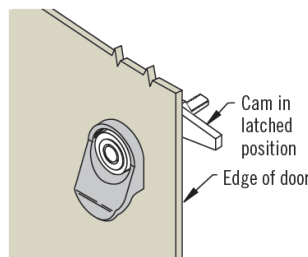
Pull Tab (19.1mm size)



Pull tab in-line with cam



Pull tab perpendicular to cam



Type	Part Number	Adjustment Formula
Padlock bracket square	E3-77-101-31	Add 2 (.08) to door thickness
Padlock bracket round	E3-77-102-31	Add 2 (.08) to door thickness
Pull tab 13.5mm size - In-line	E3-27-61	Add 2 (.08) to door thickness
Pull tab 13.5mm size - Perpendicular	E3-27-62	Add 2 (.08) to door thickness
Pull tab 19.1mm size	E3-27-1	Add 2.4 (.09) to door thickness